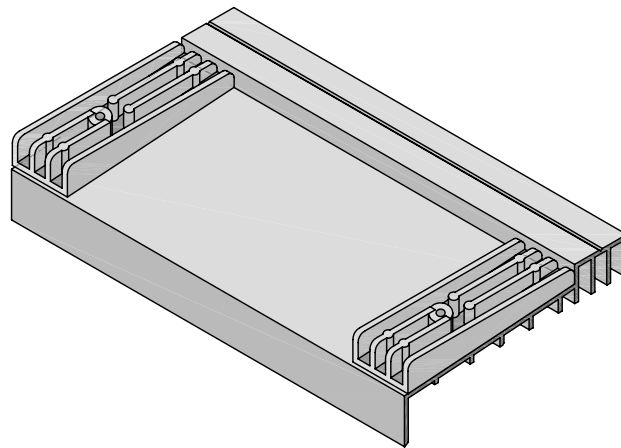


L H End Soaker

R H End Soaker



Mullion Soaker

General notes:

All materials & building procedures must comply with NZBC Acceptable Solutions & the requirements of NZS 3604.

REDWAY DEVELOPMENTS LTD

Manufacturer's of 'The Sill Tray'
BRANZ Appraised No. 424 (2005)



SALES: P.O.Box 31 - 202, Christchurch 8030, NEW ZEALAND
TELEPHONE: 64 3 3585 775, FACSIMILE: 64 3 3589 529

**PAGE 15 - SILL TRAY SOAKER
OPTION**